

# SLIMBRICK®

NATURAL CLAY BRICK TILE

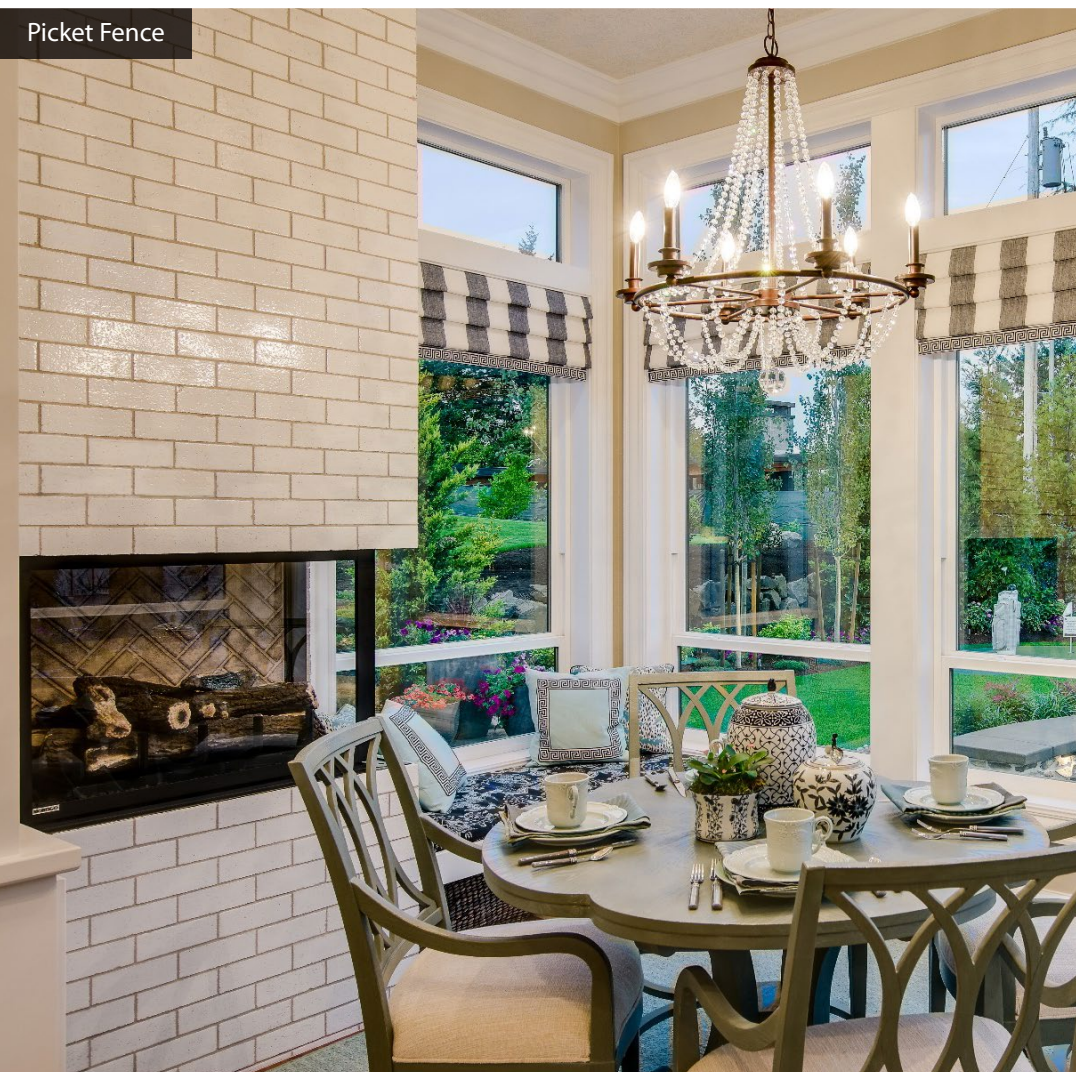


Coal Creek



Mutual Used

ACH Design



Picket Fence



Ebony

PERFORMANCE + BEAUTY + SUSTAINABILITY



**Kendall Anderegg**  
*President, Mutual Materials*

Hello,

Thank you for considering Mutual Materials for your project.

At Mutual Materials our purpose is building beauty that lasts. We help our customers build better, more inviting communities by providing appealing masonry and hardscape products that stand the test of time.

Our high quality masonry and hardscape products are ultimately used to create beautiful buildings, family homes, relaxing public landscapes and private outdoor living areas. It is inspiring to see the visionary uses of our products in our community, creating hospitals, schools, stadiums, businesses, homes, parks and backyard spaces.

Mutual Materials is also a family business and we locally manufacture the products we sell. From humble beginnings with one brick plant in Seattle during 1900, we have grown today into a major regional employer operating more than 10 manufacturing plants and 16 branch offices across Washington, Oregon, Idaho, Montana and British Columbia.

On behalf of the team here at Mutual Materials, we appreciate our customers. Thanks for the opportunity to win your business, and we hope that we can help you build beauty that lasts.

Sincerely,

Kendall Anderegg  
*President, Mutual Materials*

---

## CONTENTS

<b>Letter from our President.....</b>	<b>2</b>	<b>Craftsman Series.....</b>	<b>6-7</b>
<b>About Slimbrick.....</b>	<b>3</b>	<b>Architectural Series.....</b>	<b>7-9</b>
<b>Where to Use Slimbrick.....</b>	<b>4-5</b>	<b>Glazed Slimbrick.....</b>	<b>10-11</b>

## THIN BRICK FOR INTERIORS & EXTERIORS

Available for both commercial and residential applications, Slimbrick® enriches design ambience for retail stores, offices, restaurants, businesses and home interiors including kitchens, home offices and living areas.

### PERFORMANCE

For constructing buildings with lighter frames that cannot support the weight of full-size brick on higher elevations; Slimbrick is the answer. Our genuine clay Slimbrick has the same benefits of regular brick with greater installation flexibility.

Slimbrick genuine clay masonry meets all of the appropriate (ASTM 1088) standards for thin brick veneer. In addition to providing the aesthetic value of full brick, wall systems with Slimbrick can offer the same thermal, acoustic and fire protection benefits.

### BEAUTY

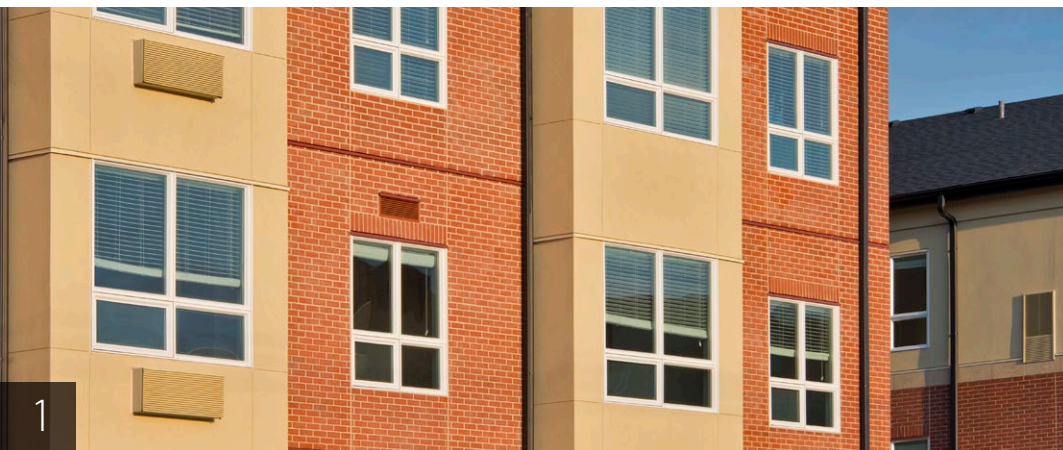
Are you looking to add the character of brick to your project? With 50+ rich colors that will endure for decades without fading, Slimbrick colors can be combined to create custom blends that are uniquely yours and build beautiful features that stand the test of time.

### SUSTAINABILITY

Inherently eco-friendly, Mutual Materials Slimbrick may help contribute to LEED points because it is locally manufactured, includes post-industrial recycled content and has a long life cycle.



Onyx



1

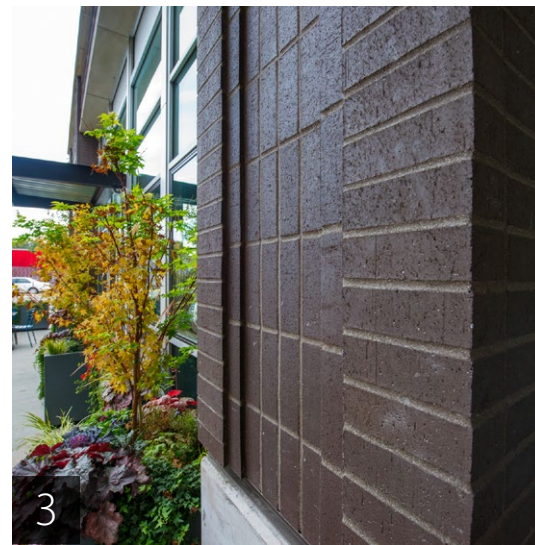


2

## Add the Beauty of Brick

Brick is not just for construction anymore. Now with Slimbrick tile, it's easy to add the beauty of brick almost anywhere. With 50+ rich colors that will endure for decades without fading, architects, designers and homeowners can build uniquely beautiful features that last.

- |   |  |
|---|--|
| 1. Commercial building<br><i>Imperial Red</i>           | 6. Restaurant work station<br><i>Glazed Slimbrick in Cranberry</i> |
| 2. Townhome exteriors<br><i>Covington</i>               | 7. Home accent wall<br><i>Covington</i>                            |
| 3. Commercial building<br><i>Ebony</i>                  | 8. Kitchen wall<br><i>Glazed Slimbrick in Cobalt</i>               |
| 4. Restaurant interior<br><i>Classic Used</i>           | 9. Kitchen backsplash<br><i>Glazed Slimbrick in Titanium</i>       |
| 5. Retail mixed-use<br><i>Redondo Gray and Sea Gray</i> | 10. Kitchen and dining<br><i>Glazed Slimbrick in Picket Fence</i>  |



3



5



4



## CRAFTSMAN STOCK COLORS

Timeless and classic, exposed brick walls bring character and depth to building interiors and exteriors.

Aged brick walls are often central design features for trendy urban restaurants and businesses. Now with Slimbrick, this look can be achieved for any interior or exterior design project.

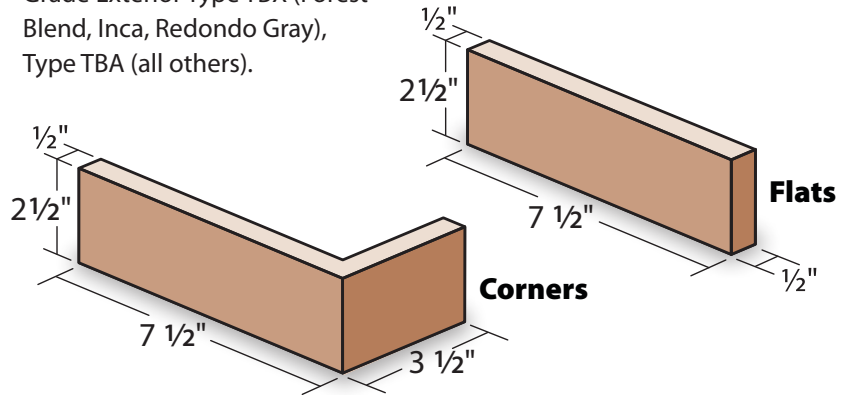
Slimbrick Craftsman Stock Colors are typically stocked at Mutual Materials branch locations. Colors range from traditional reds and browns to more modern grays and dark color blends.

### SPECIFICATION:

Mutual Materials Slimbrick will meet or exceed ASTM C-1088 Grade Exterior Type TBX (Forest Blend, Inca, Redondo Gray), Type TBA (all others).

### TEXTURES:

Tumbled, or Light Wire Cut and Mission



### CRAFTSMAN STOCK COLORS BY THE BOX

SHAPE	PIECES	COVERAGE	WEIGHT
Flats	60	10 square ft.	41 lbs
Corners	30	7 lineal ft.	30 lbs



Mutual Used

ACH Design



Ashland Used



Classic Used



Mutual Used



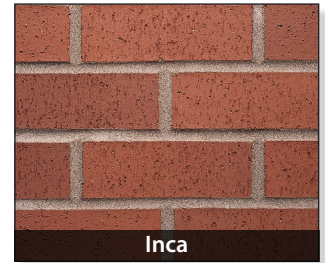
Westport Used



Chateau Gray



Redondo Gray



Inca



Coal Creek



Covington



Forest Blend

## ARCHITECTURAL SERIES

For constructing buildings with lighter frames that cannot support the weight of full-size brick on higher elevations; Slimbrick is the answer. With the classic appearance of full-size brick, but with thinner dimensions, Slimbrick is well suited for applications where weight, thickness, or codes require a thin veneer product.

With 50+ rich colors that will endure for decades without fading, architects and designers can build uniquely beautiful features by combining Slimbrick colors to create a signature custom brick blend.



Redondo Gray and Aspen

**SPECIAL ORDER COLORS.** Not all colors, shapes and sizes are shown. Please see Facebrick colors on our website for the full potential range, or contact your local Mutual Materials sales rep for current listing.



Desert White



Limestone



Modified Granite



Castle Gray



Aspen



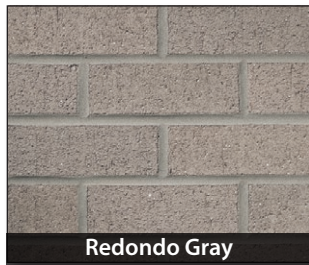
Pewter



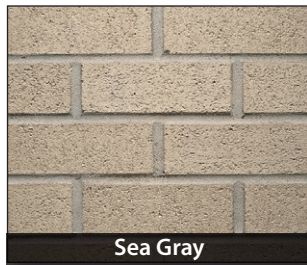
Mediterranean



Imperial Gray



Redondo Gray



Sea Gray



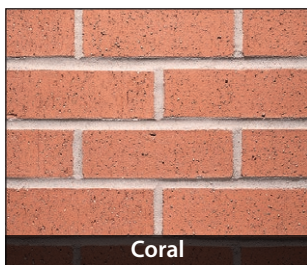
Seattle Cream



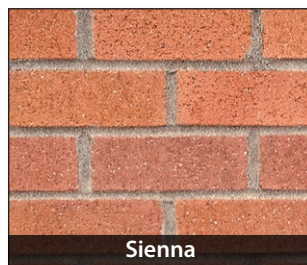
Wheat



Goldenrod



Coral



Sienna



Sepia



Amber Rose



Brown Varitone



Desert Rose



Burgundy



**SPECIAL ORDER COLORS.** Not all colors, shapes and sizes are shown. Please see Facebookrick colors on our website for the full potential range, or contact your local Mutual Materials sales rep for current listing.



Red Varitone



Tan Terra



Imperial Red



Inca



Vintage



Chestnut



Teal Brown



Mauna Loa

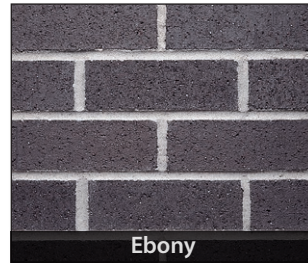
**ARCHITECTURAL SERIES PRODUCT SPECS**

**SPECIFICATION:**

Mutual Materials Slimbrick will meet or exceed ASTM C-1088, Grade Exterior, Type TBX.

**TEXTURES:**

- Light Wire Cut
- Mission and Smooth: Special order
- Other sizes and shapes are available



Ebony



Raven

**ARCHITECTURAL SERIES BY THE PALLET**

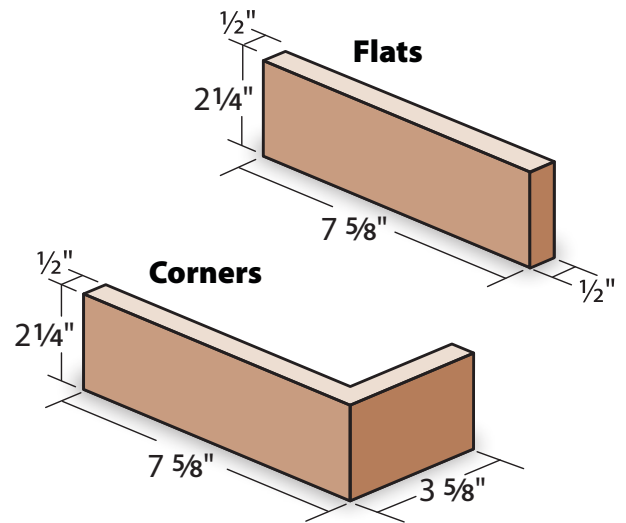
SHAPE	PIECES	COVERAGE	WEIGHT
Flats	2,100	310 square ft.	1,300 lbs
Corners	300	65 lineal ft.	360 lbs

**CLEANING & WATERPROOFING**

For cleaning mortar stains from masonry surfaces, apply NMD 80 by Eco Chem Inc. per manufacturer's instructions. If a water repellent is desired use Fabrikem 761 by Fabrikem Manufacturing LTD, or similar silane/siloxane water repellent. Make sure water repellent material is compatible with specified caulking materials.

**INSTALLATION**

There are multiple options for installing Slimbrick both commercially and for home remodel projects. For commercial installation, we recommend the LATICRETE® Masonry Veneer Installation System. Other installation methods are possible - please visit our website for installation options: [www.mutualmaterials.com/installation-guides](http://www.mutualmaterials.com/installation-guides)

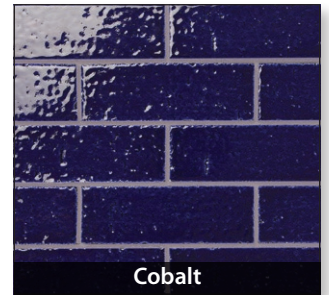
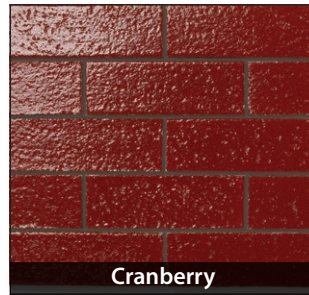
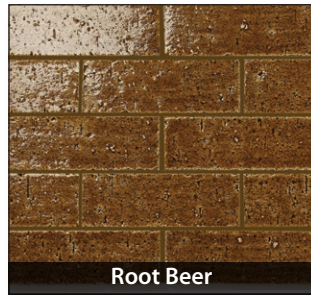


## DESIGNER GLAZED SLIMBRICK

Designer Glazed Slimbrick from Mutual Materials merges the modern trend of subway tile with the timeless texture of natural brick.

Washable and waterproof, our Glazed Slimbrick tile adds textural character and colorful visual depth and is suitable for both interior and exterior design projects.

Glazed Slimbrick adds unique character to kitchens, bathrooms, home offices, accent walls and fireplaces. Commercially, Glazed Slimbrick brings a chic urban design edge to enhance the decor of restaurants, businesses, and retail stores.



## GLAZED SLIMBRICK PRODUCT SPECS

### SPECIFICATION:

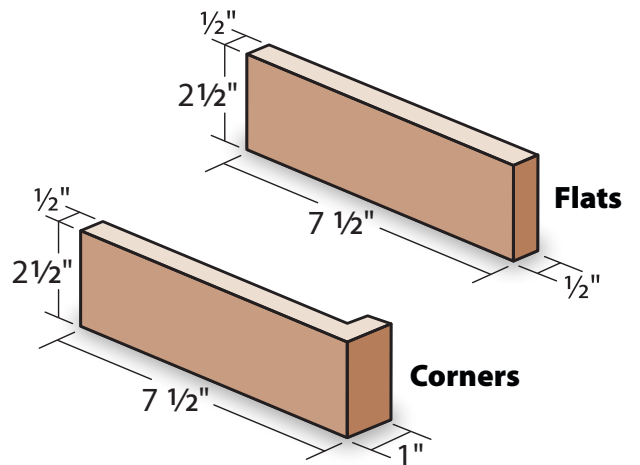
Mutual Materials Designer Glazed Slimbrick will meet or exceed ASTM C-1088, Grade Exterior, Type TBX.

### TEXTURE:

Glazed

## GLAZED SLIMBRICK BY THE BOX

SHAPE	PIECES	COVERAGE	WEIGHT
Flats	51	7 square ft.	36 lbs
Corners	48	10.5 lineal ft.	37 lbs







[www.mutualmaterials.com](http://www.mutualmaterials.com)

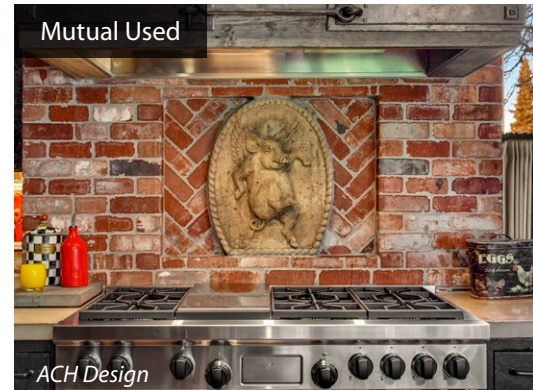
For more information on Slimbrick please contact:

Washington, Oregon, Idaho and Montana:

1-888-MUTUALØ (1-888-688-8250)

Canada: 1-888-816-2111

All other areas: 1-800-477-7137



Mutual Used

ACH Design



Classic Used



Redondo Gray and Aspen