

Structural Brick



Kla-All™ Hollow-Core Units

Color & Shape Selection Guide



MUTUAL MATERIALS®

Trusted Since 1900

Technical Data

Table 1 – Physical Data¹

ASTM Specification: Manufactured to meet ASTM C652 Grade SW Type HBS						
		Nominal Wall Thickness ²	4"	6"	8"	
R Values "Calculated" Includes inside and outside Air Films. Sources: ASHRAE Standard 90.1, Oregon & Washington State Energy Codes	Cells uninsulated with 30% grouted (typical)		1.52	1.89	2.01	
	Cells insulated with Perlite and 30% grouted		2.22	2.96	3.38	
	Cells solid grouted		1.33	1.61	1.79	
	30% grouted brick furred 2" O.C. plus ½" gyp board with cavity between furring insulated with:	¾" Extruded Polystyrene		4.22	4.59	4.71
		1½" Extruded Polystyrene		6.42	6.79	6.91
		¾" Polyisocyanurate		5.12	5.49	5.61
1½" Polyisocyanurate		8.17	8.54	8.66		
½" gyp board adhered to 2½" polyisocyanurate adhered to uninsulated brick 30% grouted		19.52	19.89	20.01		
Fire Ratings per IBC Table 720.1 (2)	Grouted solid or filled with Perlite		1	3	4	
	Not continuously grouted		0	1	2	
Weight of Walls Approximately in pounds per ft ² of wall area	UngROUTED		25	36	48	
	Grout @ 48" V&H (48" O.C. vertical and horizontal)		28	42	57	
	Grout @ 24" V&H		32	48	66	
	Solid Grout		37	57	78	
Compressive Strength (varies by color). Consult your Mutual Materials Representative f'm / Refer to IBC table 2105.2.2.1.1						
Percent Solid			63	52	57	
Grout or Perlite	Cubic foot per foot of vertical cell		.048	.076	.111	
	Cubic foot per foot of bond beam		.038	.065	.113	

Table 2 – Metric Conversions

4" Structural Brick Actual Unit Dimensions		5" Structural Brick Actual Unit Dimensions		6" Structural Brick Actual Unit Dimensions		8" Structural Brick Actual Unit Dimensions	
inches	millimeters	inches	millimeters	inches	millimeters	inches	millimeters
3½	90	4½	115	5½	140	7½	190
3½	90	3½	90	3½	90	3½	90
11½	290	11½	290	11½	290	11½	290

¹ The physical data stated in this section are averages of all colors offered. Specific data may be obtained for each color.

² Nominal 5" wall thickness is available through special order only.

Colors*



Ebony - Mission (MI)



Mauna Loa - Mission (MI)



Teal Brown - Mission (MI)



Chestnut - Mission (MI)



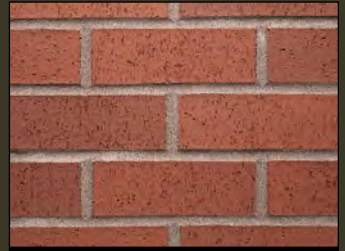
Vintage - Mission (MI)



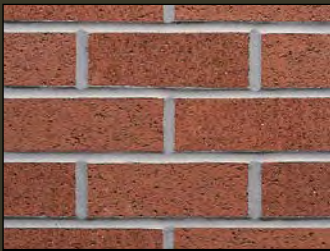
Burgundy - Mission (MI)



Royal Plum (MI)



Inca - Mission (NC)



Imperial Red - Mission (MI)



Coral (MI)



Red Varitone - Mission (MI)



Amber Rose - Mission (MI)



Desert Rose - Mission (MI)



Carib - Mission (NC)



Brown Varitone - Mission (MI)



Monterey - Mission (NC)



Tan Terra - Mission (MI)



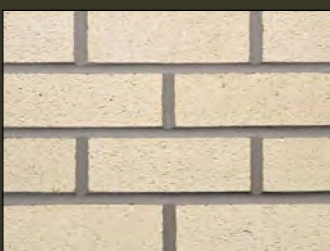
Copper - Mission (NC)



Goldenrod - Mission (MI)



Mojave - Mission (NC)



Glacier - Mission (MI)



Ivory - Mission (MI)

* Not all colors shown here are stocking products - please consult a sales representative for color, texture and shape availability. Additional production time should be allowed. These color photographs show the general appearance of colors and textures. The actual product shipped is not guaranteed to duplicate each shade and texture shown here. Final color/texture selections should be made from actual samples.

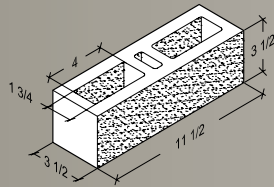
Plant Key: NC = Newcastle, MI = Mica

Kla-All™ Series: Structural Brick & Shapes

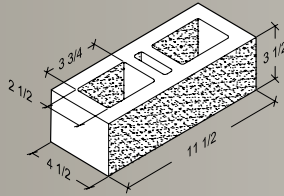
Sizes are in inches. Not all sizes shown are available as stocking products, additional production time should be taken into account. Consult your Sales Representative for scheduling.

Mutual Materials® Structural Bricks are hollow clay units used in load- and non-load-bearing reinforced masonry, and provide structure and finish in a single-wall system. In addition to the shapes shown below, Mutual Materials can manufacture custom units including sills, wall caps, radial stretchers, starters, lintels, and halves. Please contact your Sales Representative to discuss specific requirements.

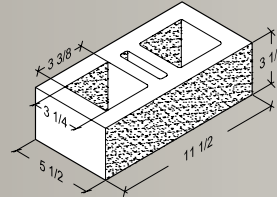
ECON FACE



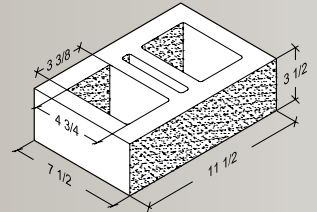
$3\frac{1}{2}'' \times 3\frac{1}{2}'' \times 11\frac{1}{2}''$
4" Stretcher



$4\frac{1}{2}'' \times 3\frac{1}{2}'' \times 11\frac{1}{2}''$
5" Stretcher

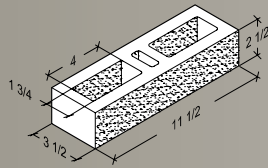


$5\frac{1}{2}'' \times 3\frac{1}{2}'' \times 11\frac{1}{2}''$
6" Stretcher

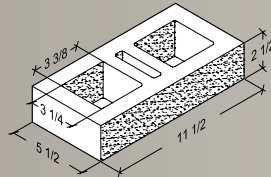


$7\frac{1}{2}'' \times 3\frac{1}{2}'' \times 11\frac{1}{2}''$
8" Stretcher

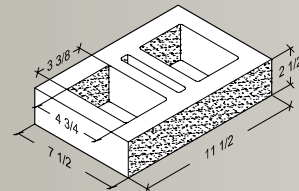
NORMAN FACE



$3\frac{1}{2}'' \times 2\frac{1}{2}'' \times 11\frac{1}{2}''$
4" Stretcher

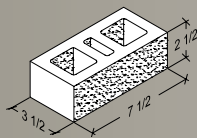


$5\frac{1}{2}'' \times 2\frac{1}{2}'' \times 11\frac{1}{2}''$
6" Stretcher

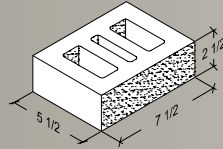


$7\frac{1}{2}'' \times 2\frac{1}{2}'' \times 11\frac{1}{2}''$
8" Stretcher

STANDARD FACE



$3\frac{1}{2}'' \times 2\frac{1}{2}'' \times 7\frac{1}{2}''$
4" Stretcher



$5\frac{1}{2}'' \times 2\frac{1}{2}'' \times 7\frac{1}{2}''$
6" Stretcher

Fittings

Sizes are in inches. Not all sizes shown are available as stocking products, additional production time should be taken into account. Consult your Sales Representative for scheduling.

BOND BEAMS

$3\frac{1}{2}'' \times 3\frac{1}{2}'' \times 11\frac{1}{2}''$
4" Bond Beam

$4\frac{1}{2}'' \times 3\frac{1}{2}'' \times 11\frac{1}{2}''$
5" Bond Beam

$5\frac{1}{2}'' \times 3\frac{1}{2}'' \times 11\frac{1}{2}''$
6" Bond Beam

$7\frac{1}{2}'' \times 3\frac{1}{2}'' \times 11\frac{1}{2}''$
8" Bond Beam

Solid-bottom bond beams are not available. Refer to Lintels.

CORNERS

4" L-Corner

8" L-Corner

4" L Corner

8" L-Corner

LINTELS

4 x 4 x 4 Lintel

6 x 4 x 4 Lintel

6 x 8 x 4 Lintel

8 x 8 x 4 Lintel

Shapes

Sizes are in inches. Not all sizes shown are available as stocking products, additional production time should be taken into account. Consult your Sales Representative for scheduling.

SQUINTS

4" 45° Squint

6" 45° Squint

8" 45° Squint

Squints are also available in 15°, 30°, 60° and 75°.

OTHER

Bullnose
(available in 4", 6" or 8" nominal widths)

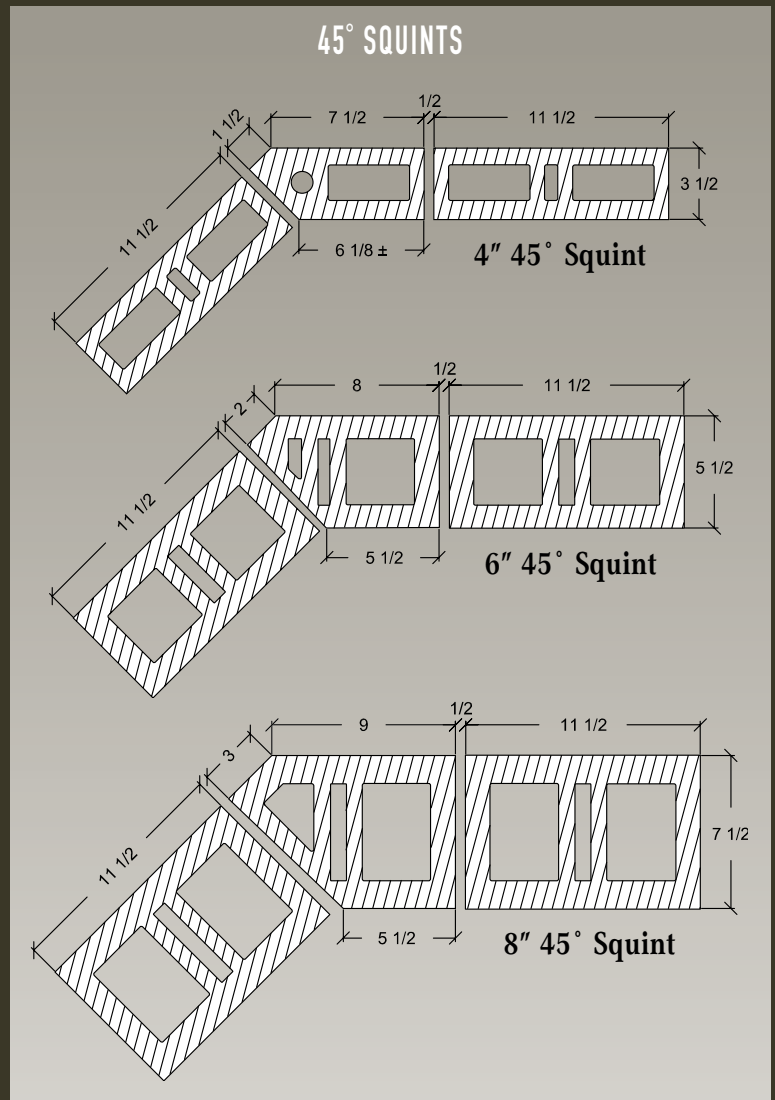
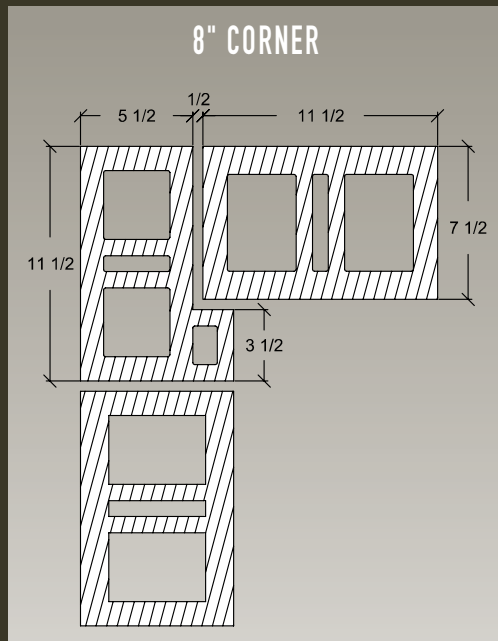
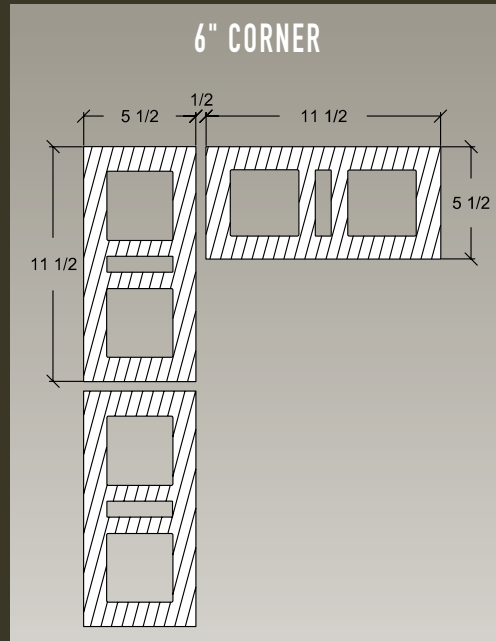
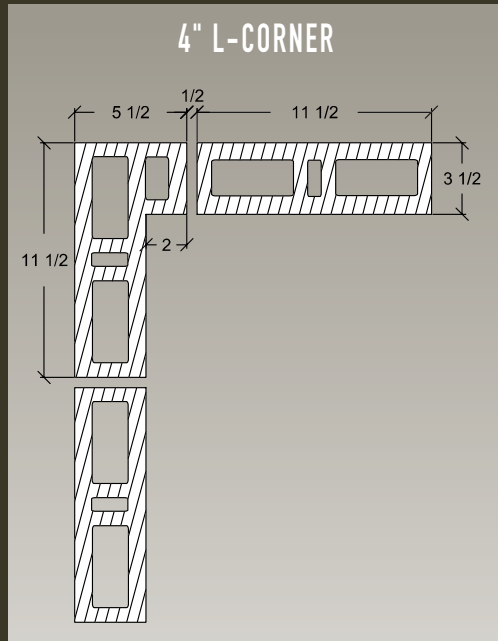
Chamfer
(available in 4", 6" or 8" nominal widths)

6" 45° Corner

8" 45° Corner

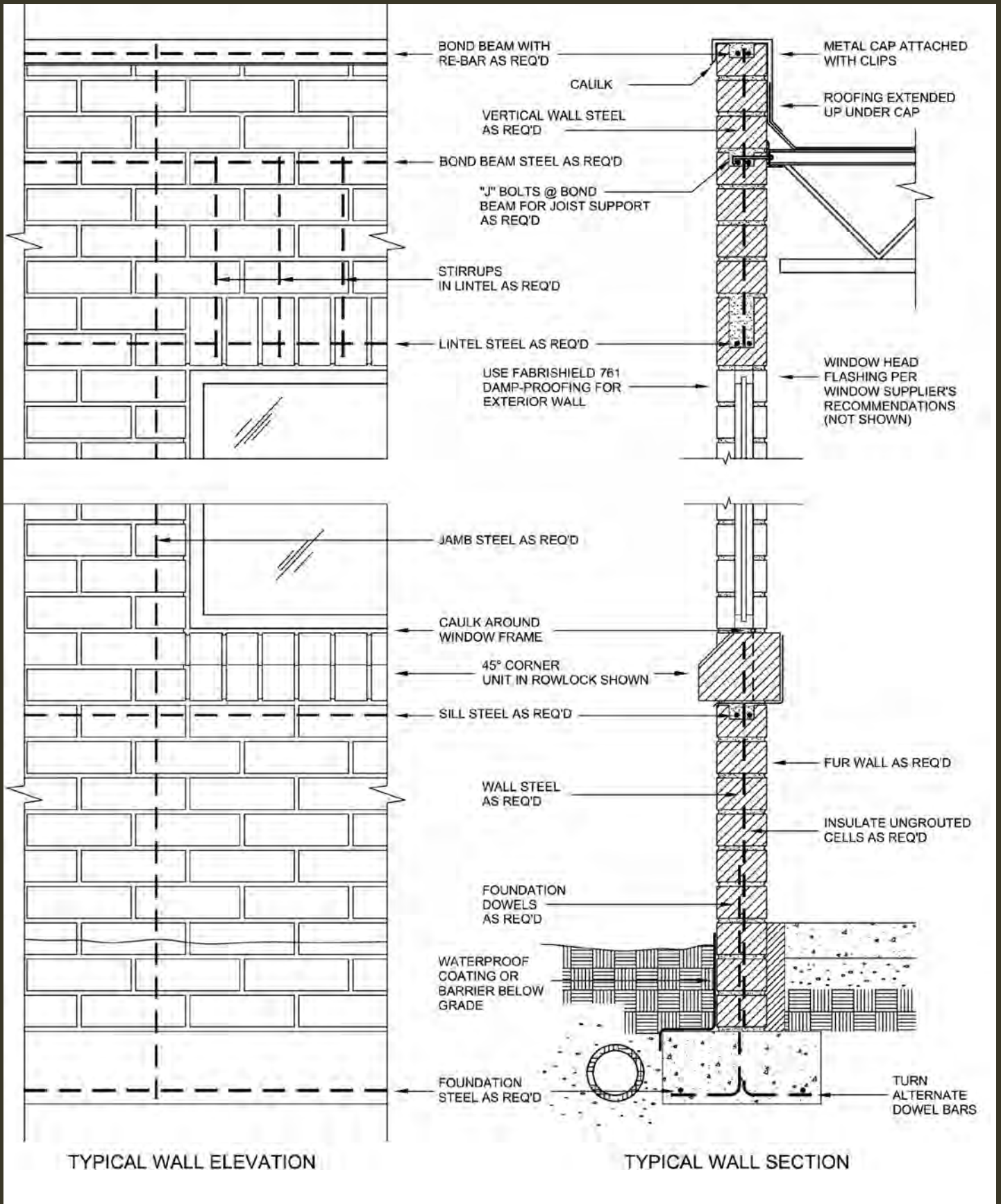
Corner Details

Sizes are in inches. Not all sizes shown are available as stocking products, additional production time should be taken into account. Consult your Sales Representative for scheduling.



Wall Elevation & Section Example

* Reinforcement conditions vary. Consult a structural engineer.



SEATTLE,

THE DAY OF THE GREAT FIRE,

2-45 PM, JUNE 6, 1889.

For product information and customer service call
1-888-MUTUALØ (688-8250).

For Distributors outside Washington, Oregon, Idaho and
Montana call 1-800-477-7137.

Cover photo:
Union Hill High School • Camas, Washington
Imperial Red and Burgundy



MUTUALMATERIALS®

Trusted Since 1900

www.mutualmaterials.com

